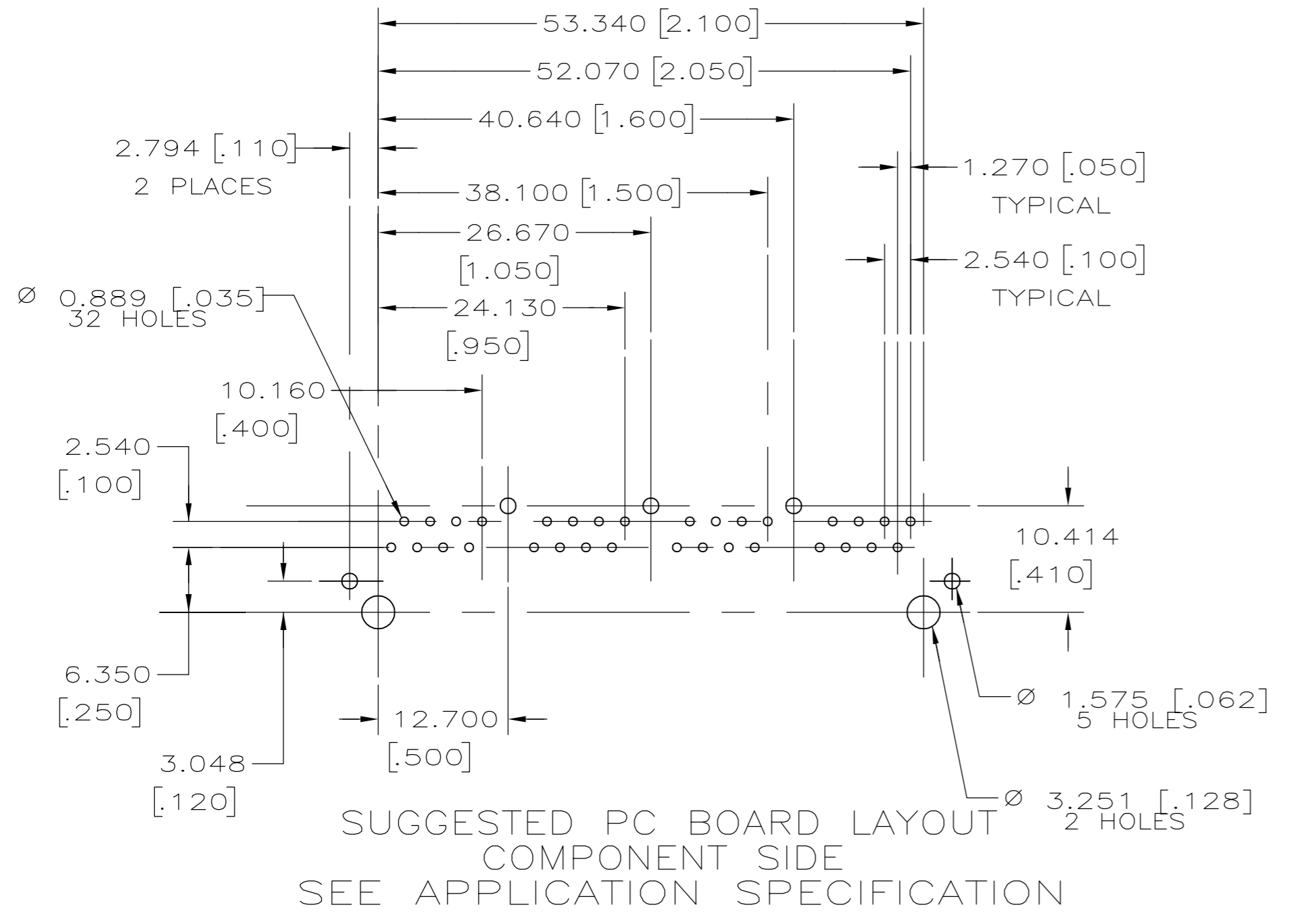
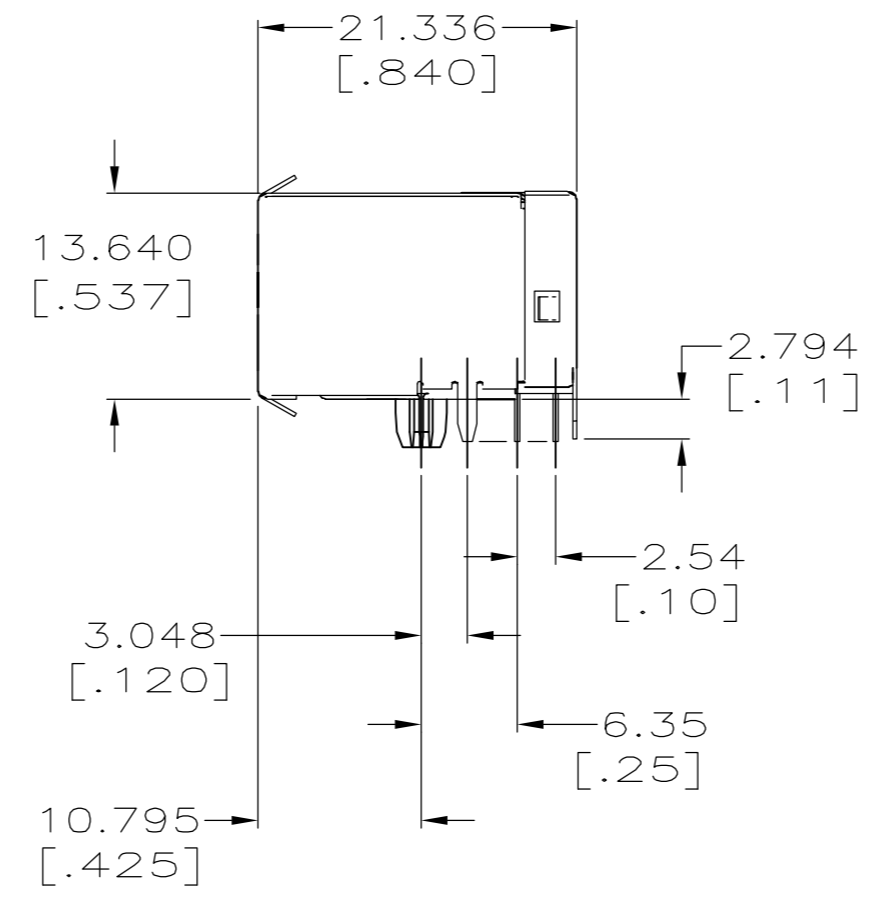
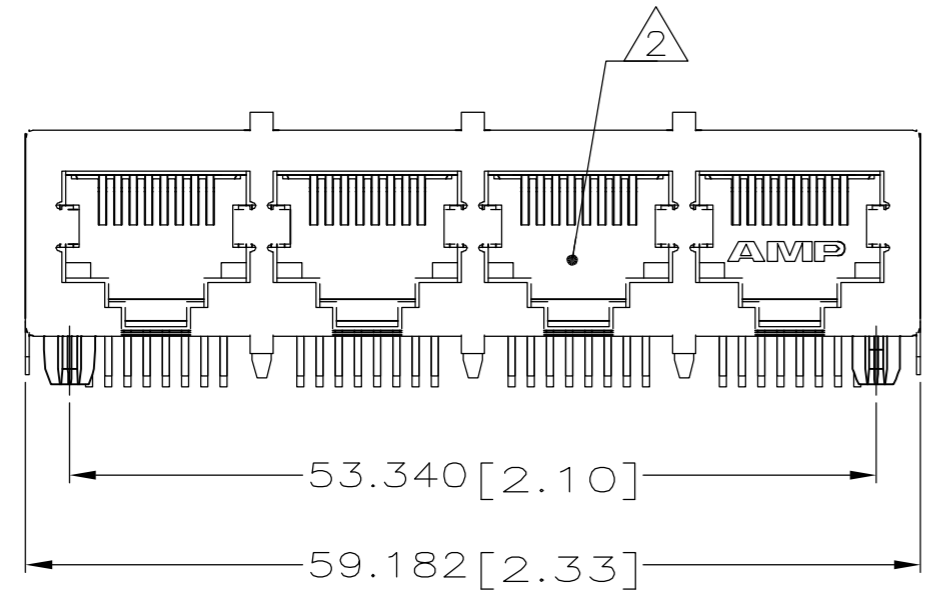


THIS DRAWING IS UNPUBLISHED. RELEASED FOR PUBLICATION
 © COPYRIGHT BY TYCO ELECTRONICS CORPORATION. ALL RIGHTS RESERVED.

LOC	DIST	REVISIONS			
P	LTR	DESCRIPTION	DATE	DWN	APVD
AA	22	B	REV PER ECO-07-004581	28FEB07	TK JW

1 MATERIAL: HOUSING-PCT POLYESTER, BLACK IR COMPATIBLE, UL 94V-0.
 TERMINALS-.33 [.013] THICK PHOS BRONZE PLATED WITH 1.27µm [.000050] THICK HARD GOLD IN LOCALIZED AREA AND 3.81µm [.000150] THICK MATTE TIN IN SOLDER AREA OVER 1.27µm .000050 THICK NICKEL UNDERPLATE.
 SHIELD-0.254 [.010] THICK COPPER ALLOY PLATED WITH 2.03µm [.000080] MINIMUM BRIGHT TIN OVER 1.27 µm [.000050] NICKEL

2 JACK CAVITY COMFORMS TO FCC RULES AND REGULATIONS, PART 68 SUBPART F.



THIS DRAWING IS A CONTROLLED DOCUMENT.		DWN 23MAY2005 C. YATES/L.A.MAYER	Tyco Electronics Corporation Harrisburg, Pa 17105-3608		
DIMENSIONS: mm		CHK 23MAY2005 J.WESTMAN			
TOLERANCES UNLESS OTHERWISE SPECIFIED:		APVD 23MAY2005 S.FLICKINGER	NAME MODULAR JACK ASSEMBLY, 4 PORT,8 POSITION, RIGHT ANGLE, SHIELDED		
0 PLC ± - 1 PLC ± - 2 PLC ± 0.254[.01] 3 PLC ± 0.127[.005] 4 PLC ± -		PRODUCT SPEC 108-1163-1	SIZE A2	CAGE CODE 00779	DRAWING NO C=5558188
MATERIAL SEE NOTE 1		FINISH SEE NOTE 1	WEIGHT -	SCALE 2:1	SHEET 1 OF 1
CUSTOMER DRAWING			REV B	5558188-1 PART NO.	